

This drawing & copyright belongs to Maple Sunscreening Ltd. Do not copy, reproduce or supply any information without prior written permission.

R: Init/Date: Revision: Chk:

MAPLE

Units 11a-11d Bramhall Technology Park, Pepper Rd, Hazel Grove, Stockport, Cheshire, SK7 5SA

Tel: 0161 456 6644

www.maplesunscreening.co.uk

Project Title:

Client:

Site Address:

Drawing Title:

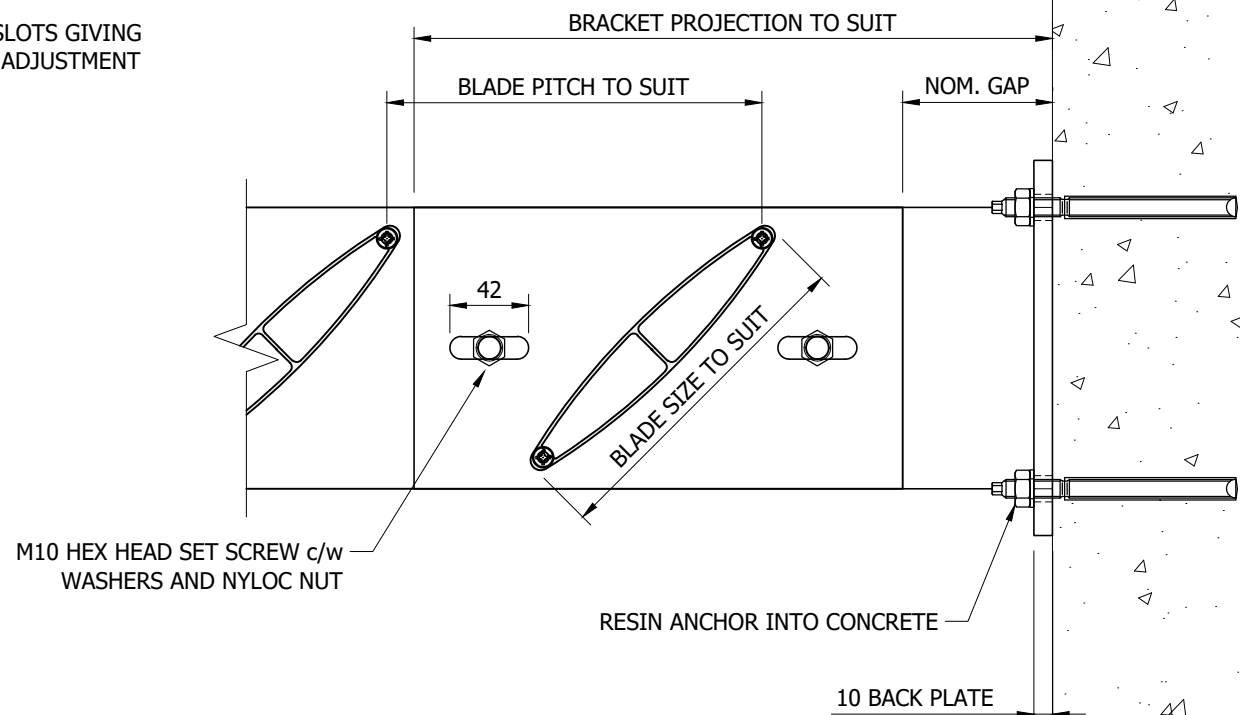
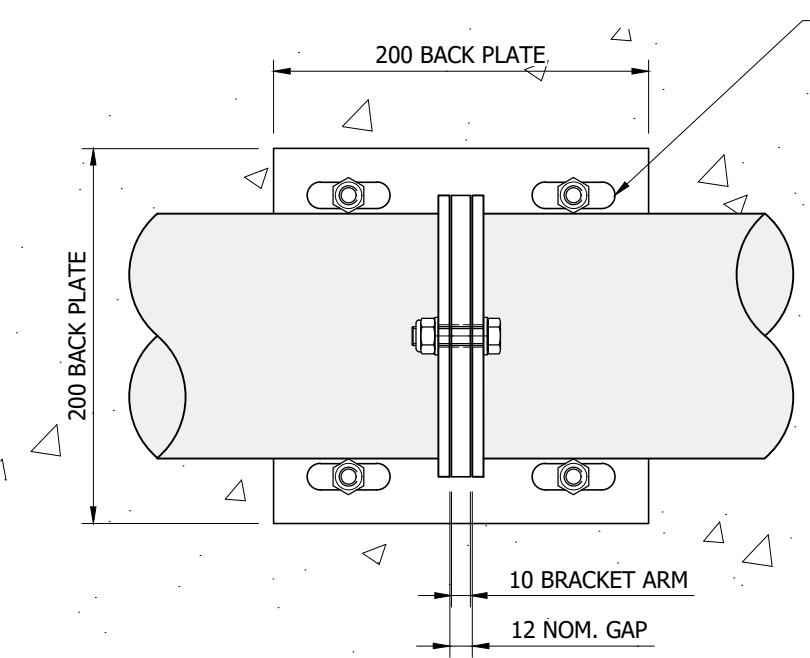
**STRATA
FIXING DETAIL
CONCRETE FACE FIX**

Drawn: SM Checked: ADJ Date: 2017

Scale: DO NOT SCALE Paper Size: A3 LANDSCAPE

Status: **INFORMATION**

Job No: Drawing No: **ST-SD-FX-003** Rev: -



STRATA TO CONCRETE FACE FIXING DETAIL