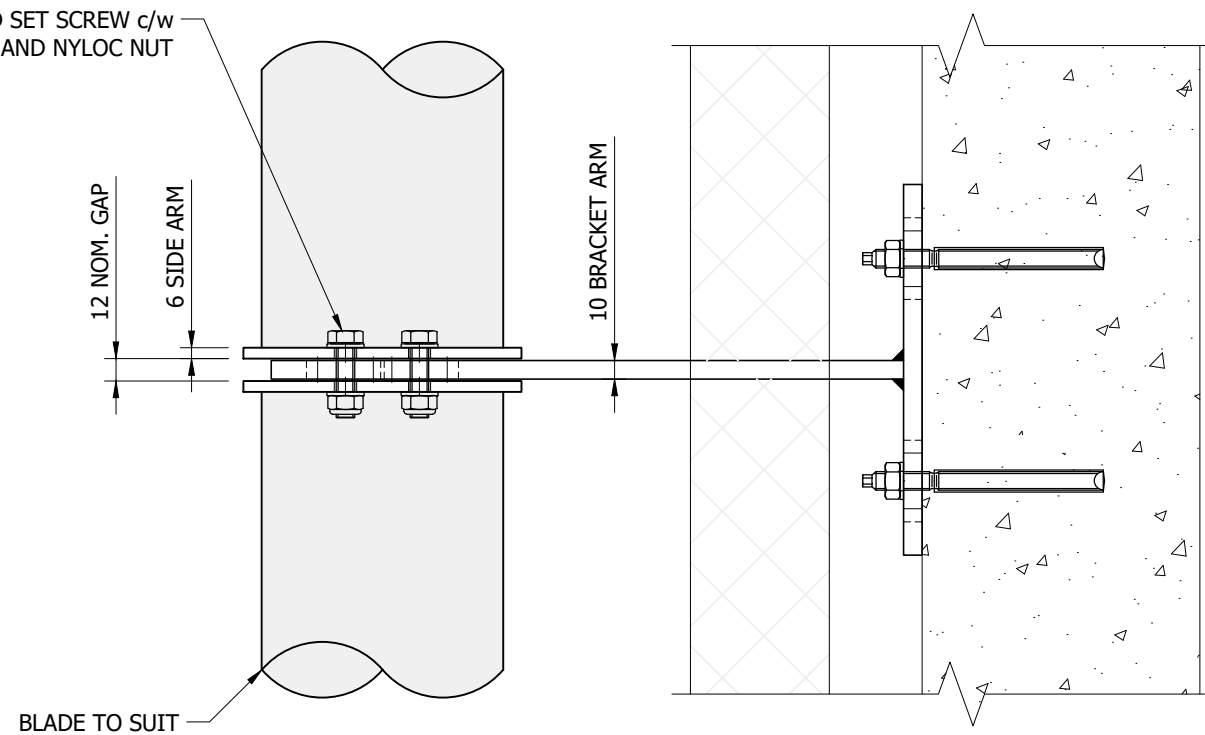
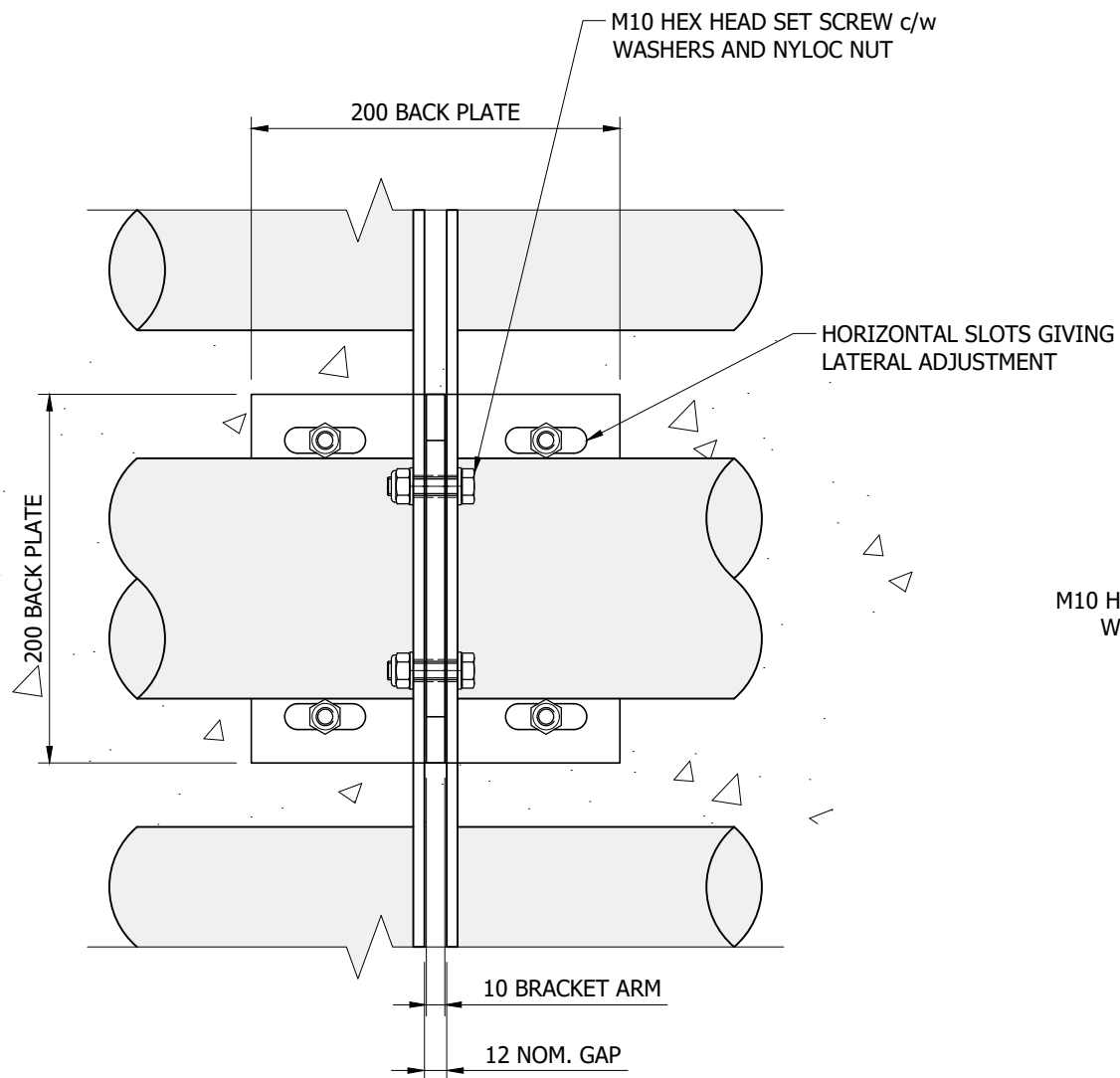


M10 HEX HEAD SET SCREW c/w
WASHERS AND NYLOC NUT

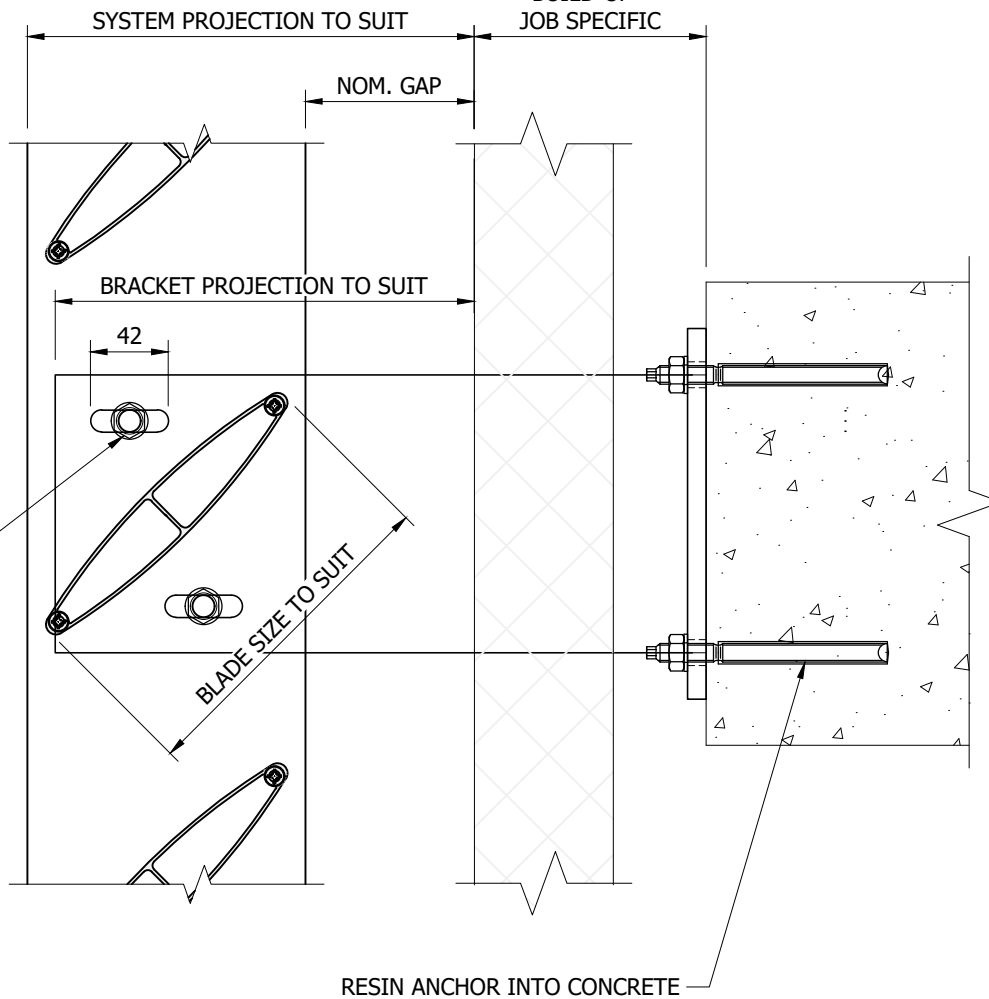


M10 HEX HEAD SET SCREW c/w
WASHERS AND NYLOC NUT



SYSTEM PROJECTION TO SUIT

BUILD-UP -
JOB SPECIFIC



M10 HEX HEAD SET SCREW c/w
WASHERS AND NYLOC NUT

RESIN ANCHOR INTO CONCRETE

This drawing & copyright belongs to Maple Sunscreening Ltd. Do not copy, reproduce or supply any information without prior written permission.

R: Init/Date: Revision: Chk:

MAPLE

Units 11a-11d Bramhall Technology Park, Pepper Rd,
Hazel Grove, Stockport, Cheshire, SK7 5SA

Tel: 0161 456 6644

www.maplesunscreening.co.uk

Project Title:

Client:

Site Address:

Drawing Title:

CLIMATE FACADE (CASSETTE)
FIXING DETAIL
CONCRETE BEHIND BUILDING LINE

Drawn: SM Checked: ADJ Date: 2017

Scale: DO NOT SCALE Paper Size: A3 LANDSCAPE

Status: **INFORMATION**

Job No: Drawing No: SD-CF-FX-004 Rev: -

CLIMATE FACADE (CASSETTE) CONCRETE BEHIND BUILDING LINE FIXING DETAIL