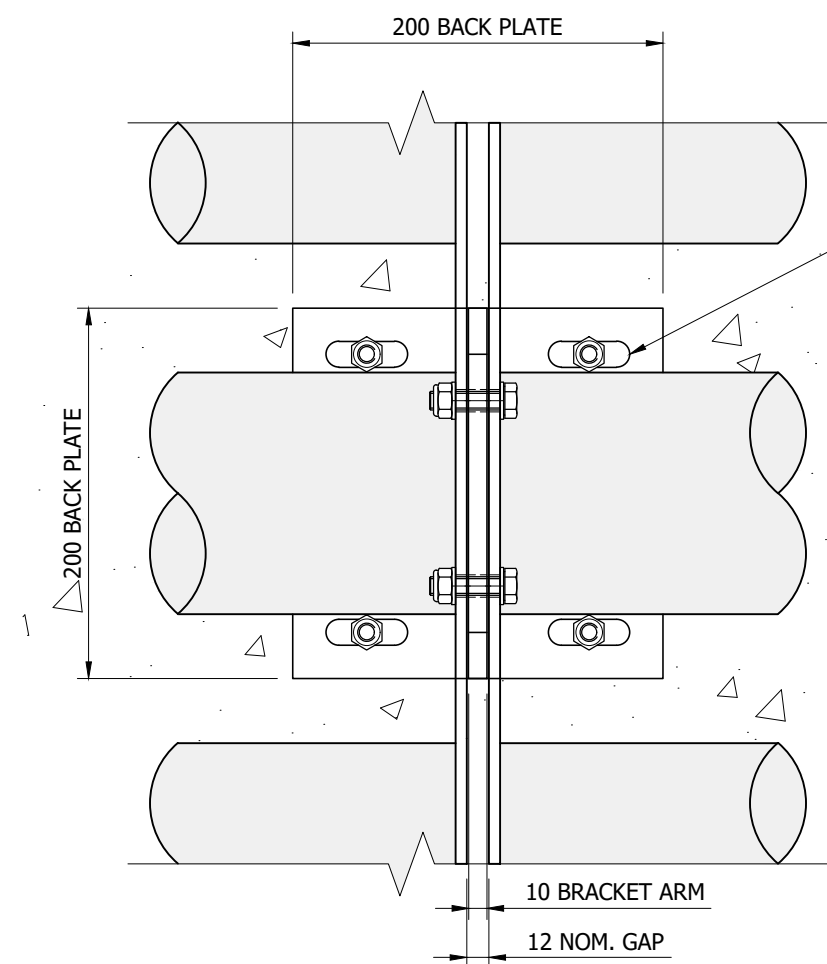
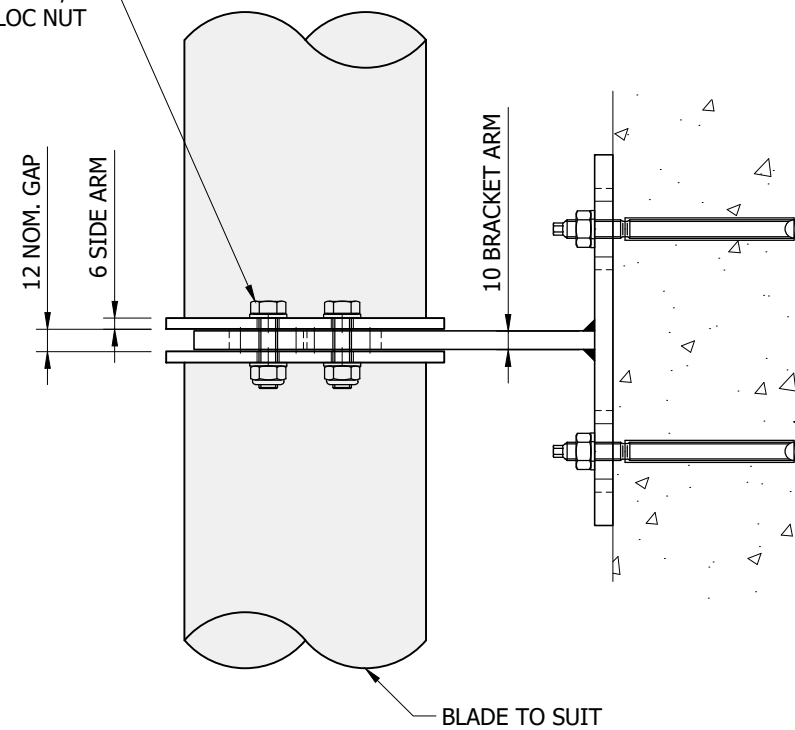
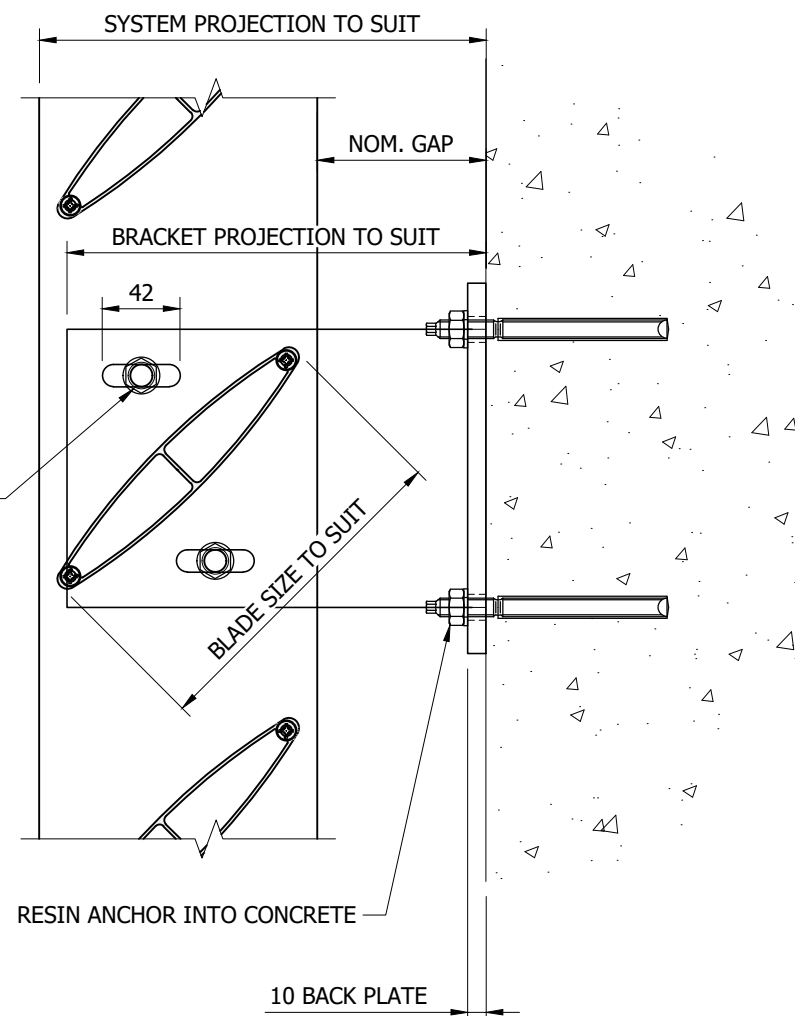


M10 HEX HEAD SET SCREW c/w
WASHERS AND NYLOC NUT



HORIZONTAL SLOTS GIVING
LATERAL ADJUSTMENT

M10 HEX HEAD SET SCREW c/w
WASHERS AND NYLOC NUT



This drawing & copyright belongs to Maple Sunscreening Ltd. Do not copy, reproduce or supply any information without prior written permission.

R: Init/Date: Revision: Chk:

MAPLE

Units 11a-11d Bramhall Technology Park, Pepper Rd,
Hazel Grove, Stockport, Cheshire, SK7 5SA

Tel: 0161 456 6644

www.maplesunscreening.co.uk

Project Title:

Client:

Site Address:

Drawing Title:
CLIMATE FACADE (CASSETTE)
FIXING DETAIL
CONCRETE FACE FIX

Drawn: SM Checked: ADJ Date: 2017

Scale: DO NOT SCALE Paper Size: A3 LANDSCAPE

Status: **INFORMATION**

Job No: Drawing No: SD-CF-FX-003 Rev: -

CLIMATE FACADE (CASSETTE) FACE FIX TO CONCRETE FIXING DETAIL